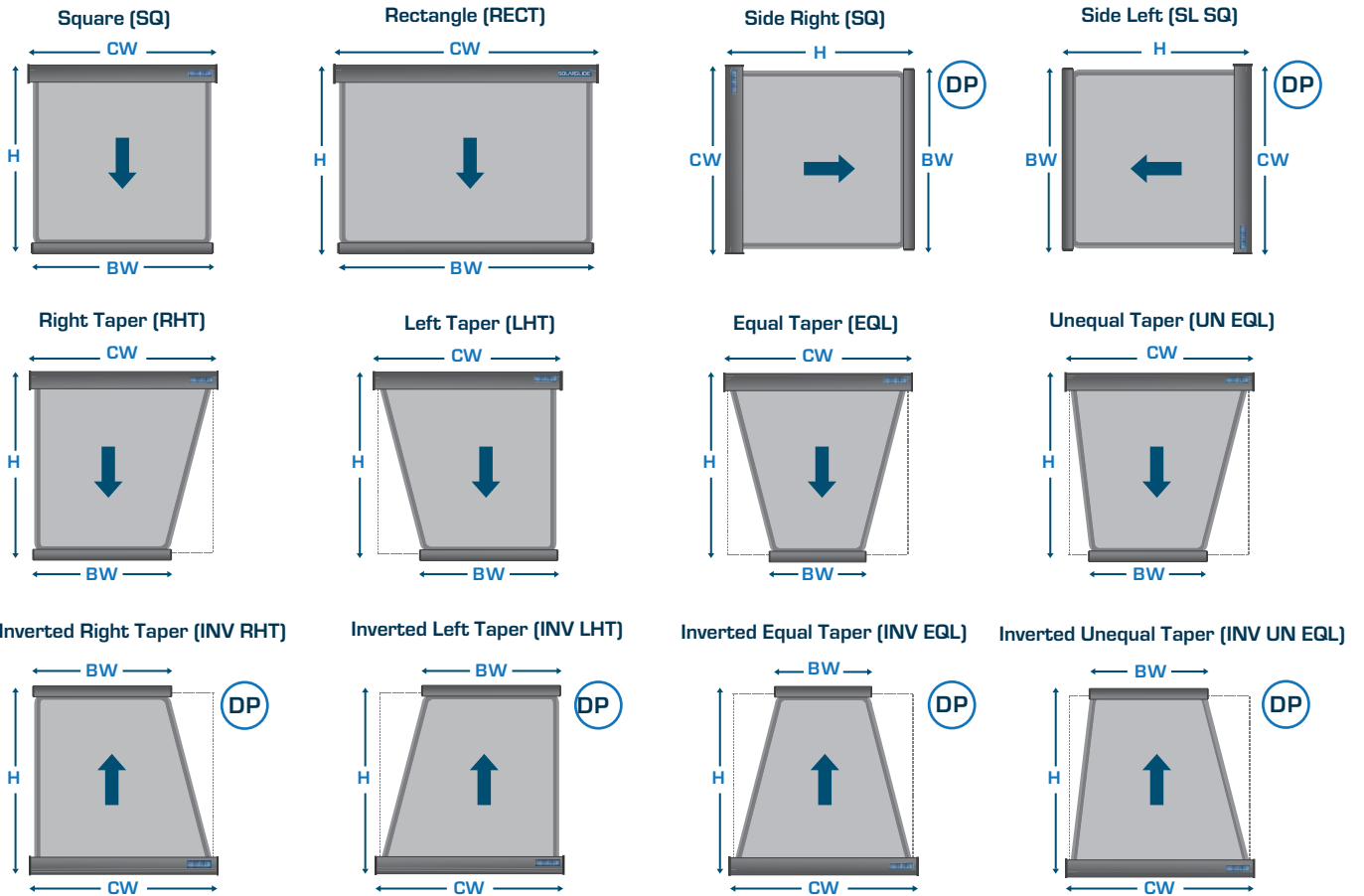




# SCREEN SHAPES

CW - Cassette Width    BW - Bottom Rail Width    DP Requires Double Pulley Mechanism  
H - Screen Height    G - Uncovered Glass

## Standard & Tapered Window Solutions



## Trapezoidal Window Solutions

