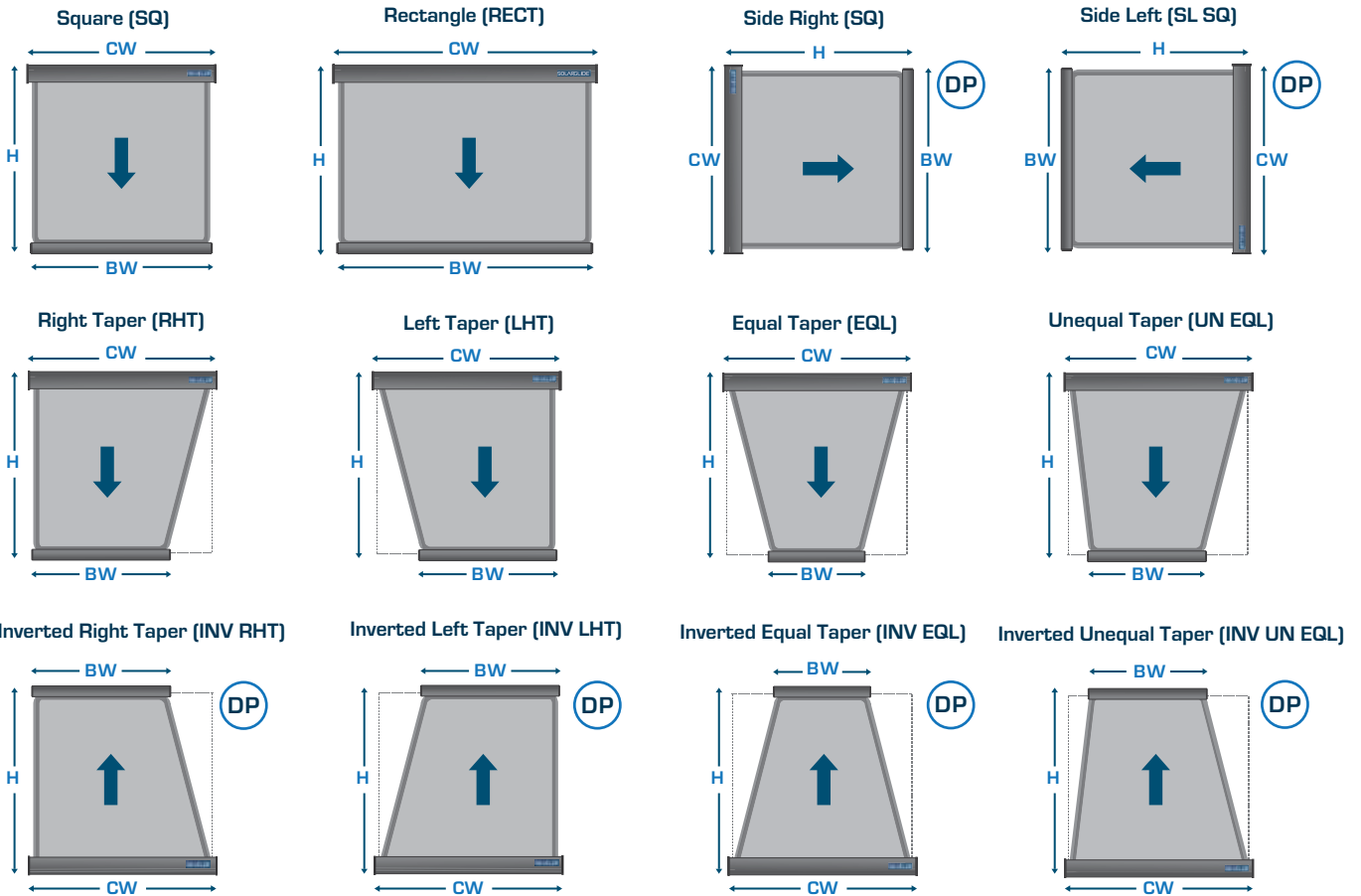




SCREEN SHAPES

CW - Cassette Width BW - Bottom Rail Width DP Requires Double Pulley Mechanism
H - Screen Height G - Uncovered Glass

Standard & Tapered Window Solutions



Trapezoidal Window Solutions

