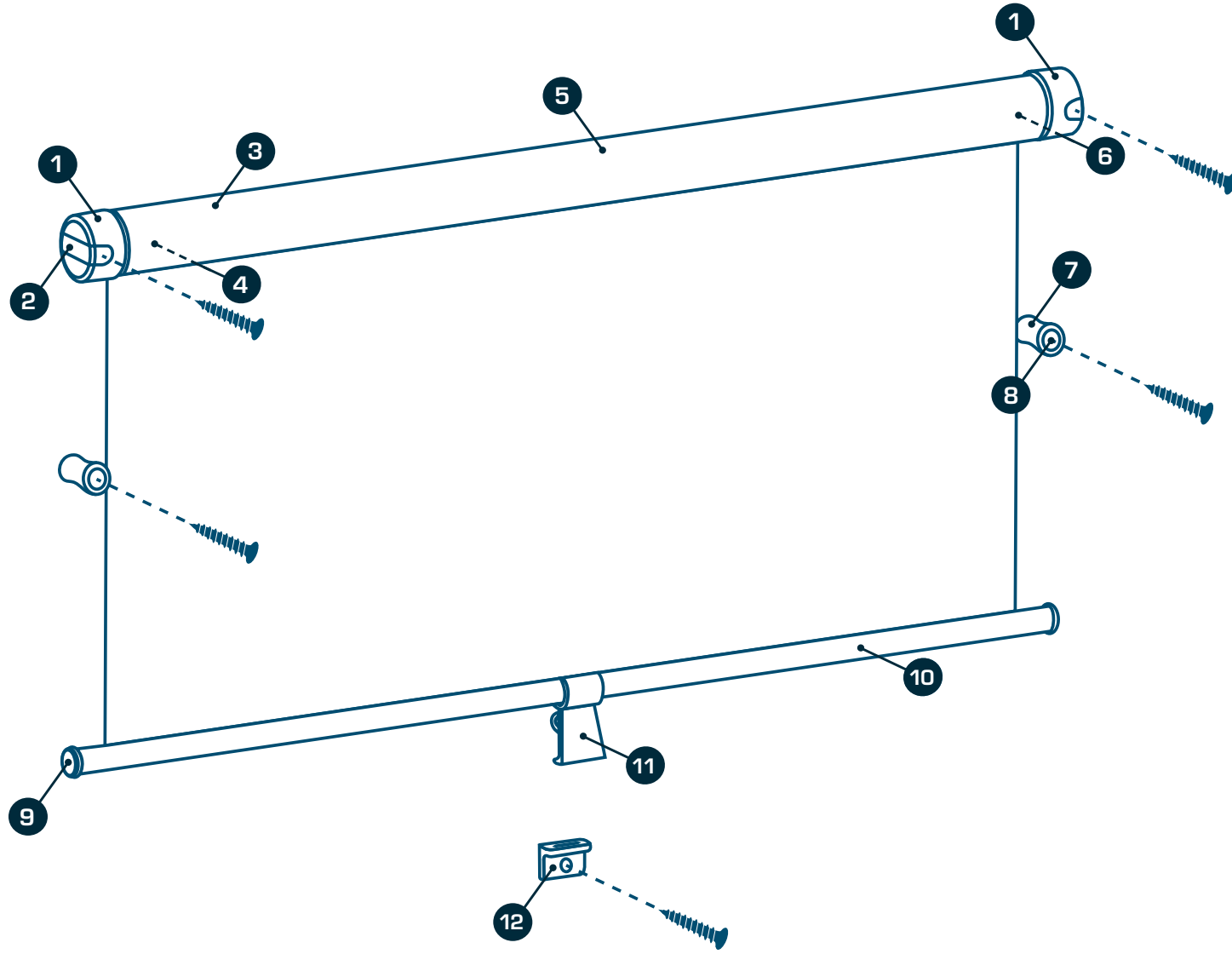
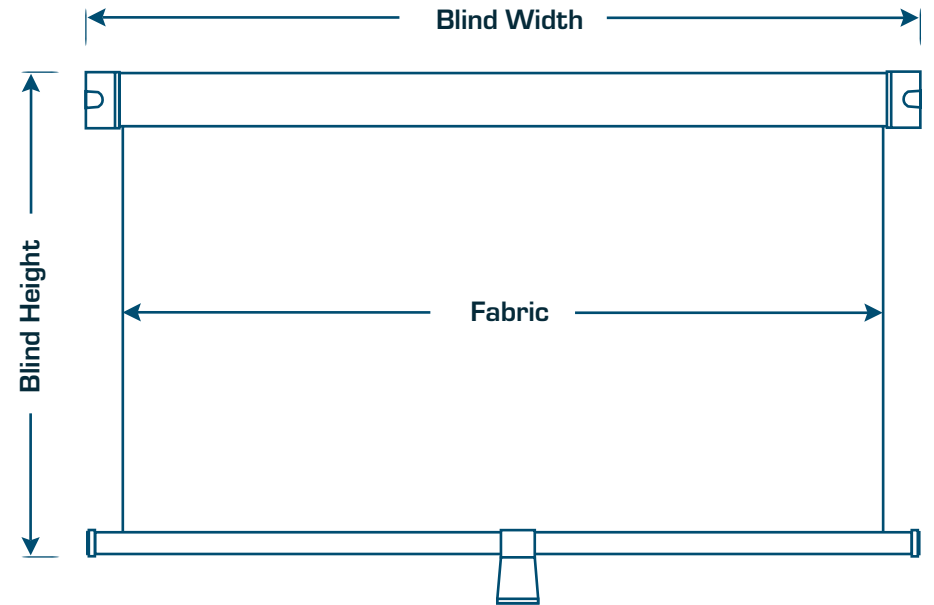
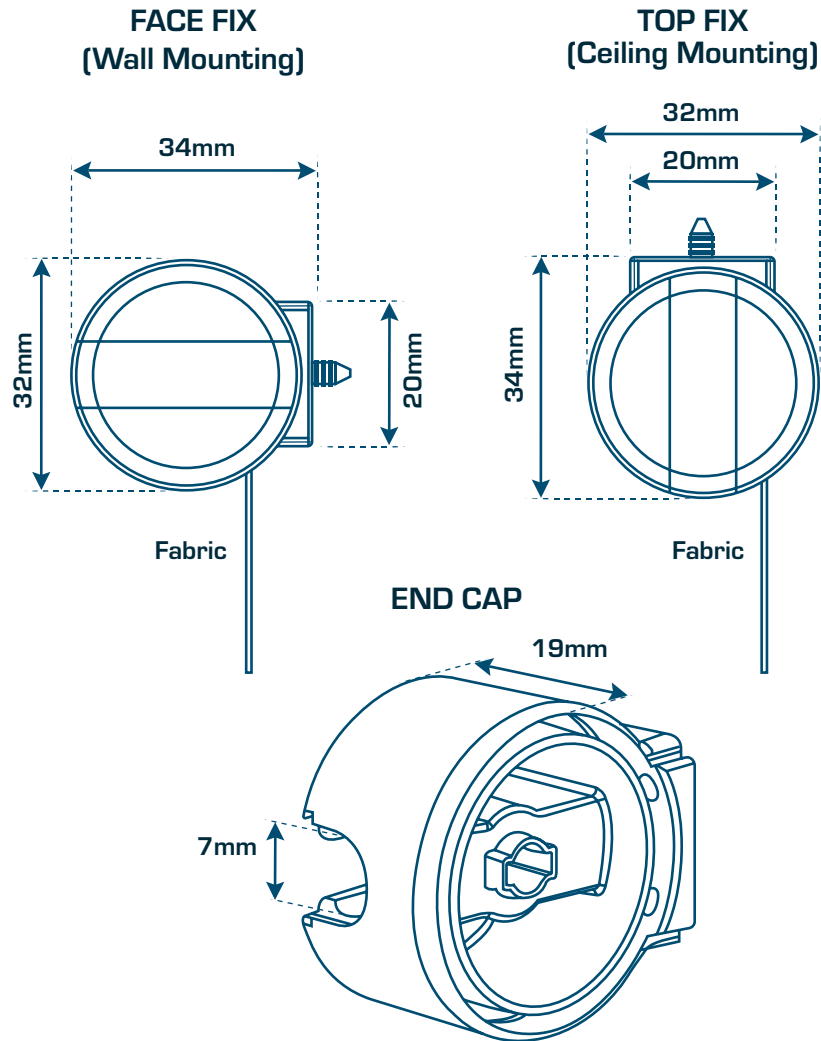


# MICRO BLIND - LABELS & COMPONENTS



Micro Blind Component List	
1	End Cap
2	End Cap Plate
3	Cassette
4	Spring Mechanism 12mm
5	Tube 12mm
6	End plug 12mm
7	Peg
8	Screw cover for peg
9	Bottom Rail End Plug 12mm
10	Bottom Rail 12mm
11	Bottom Rail Handle 12mm
12	Handle Fix

## MICRO BLIND - DIMENSIONS & MOUNTING



### MICRO CASSETTE

