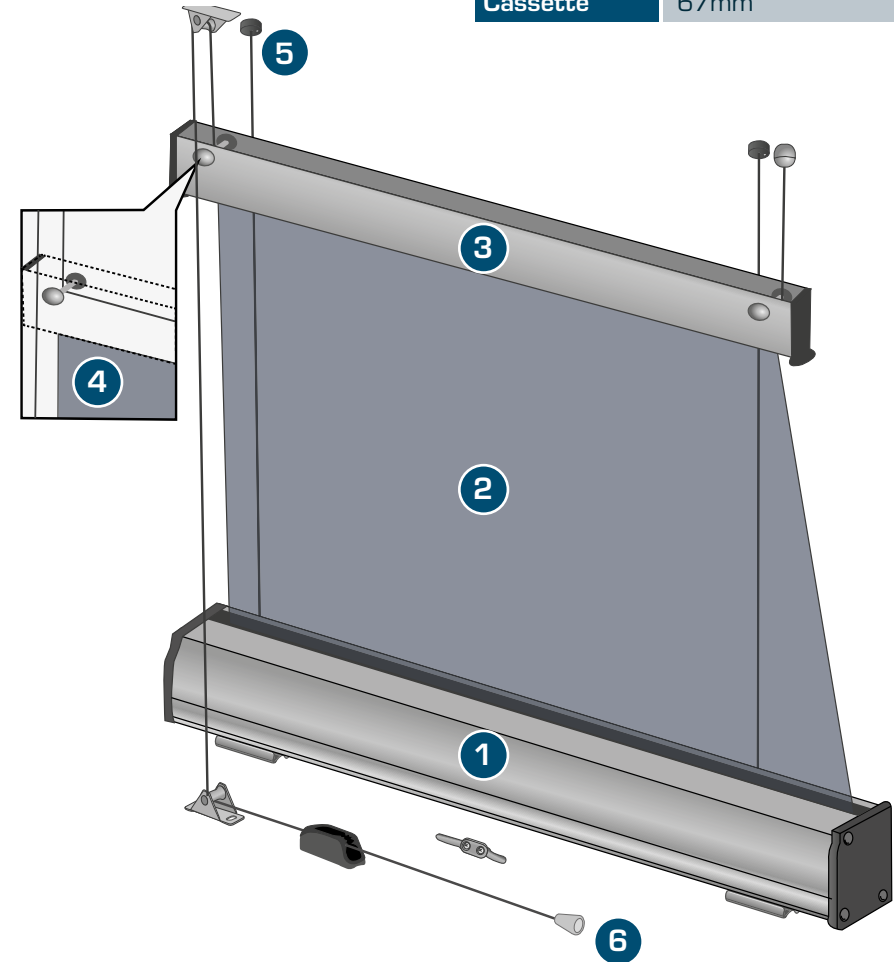
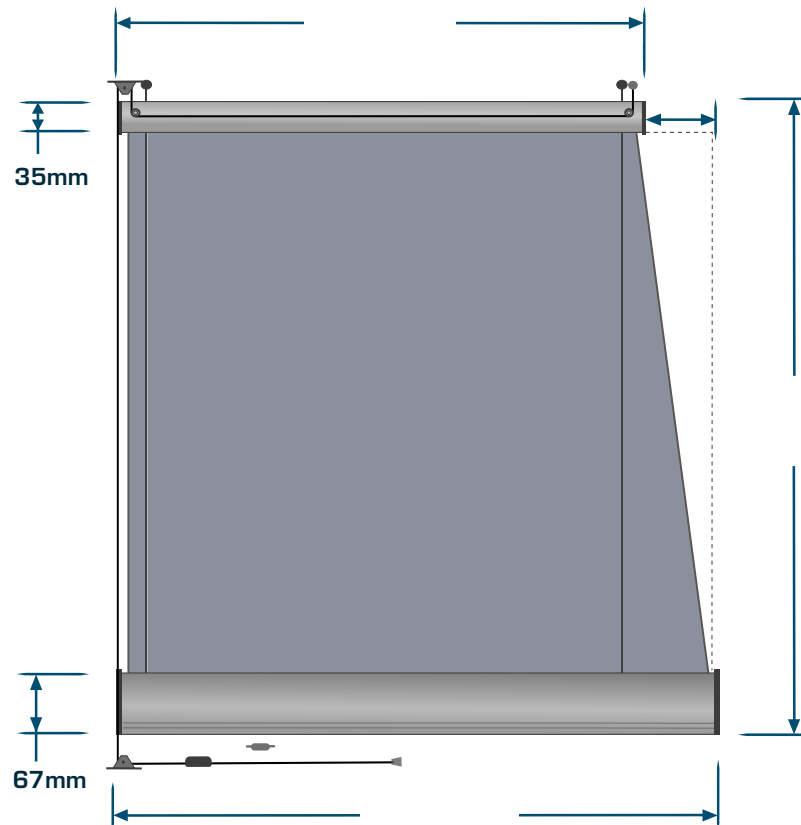


CASSETTED SOLAR SCREEN - INVERTED RIGHT TAPER

DOUBLE PULLEY SYSTEM & CABLE GUIDES

Product	Casseted Solar Screen
Mechanism	Double Pulley & Cable Guides
Film/ Fabric	Silver Solar Film
Cassette	67mm

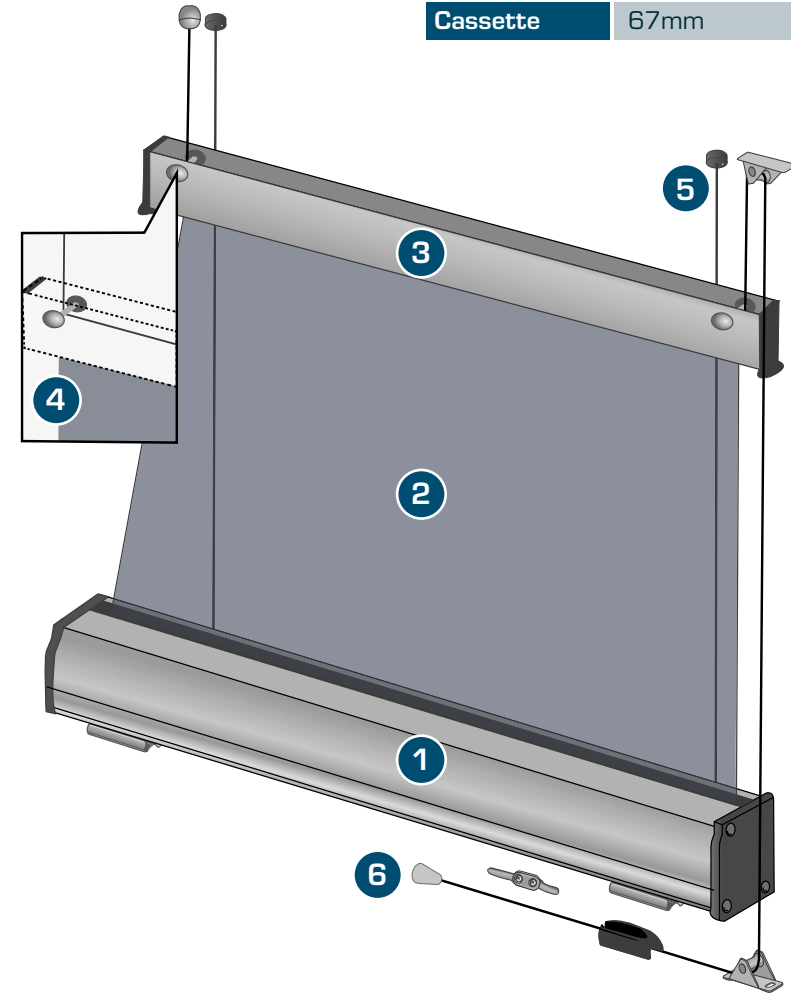
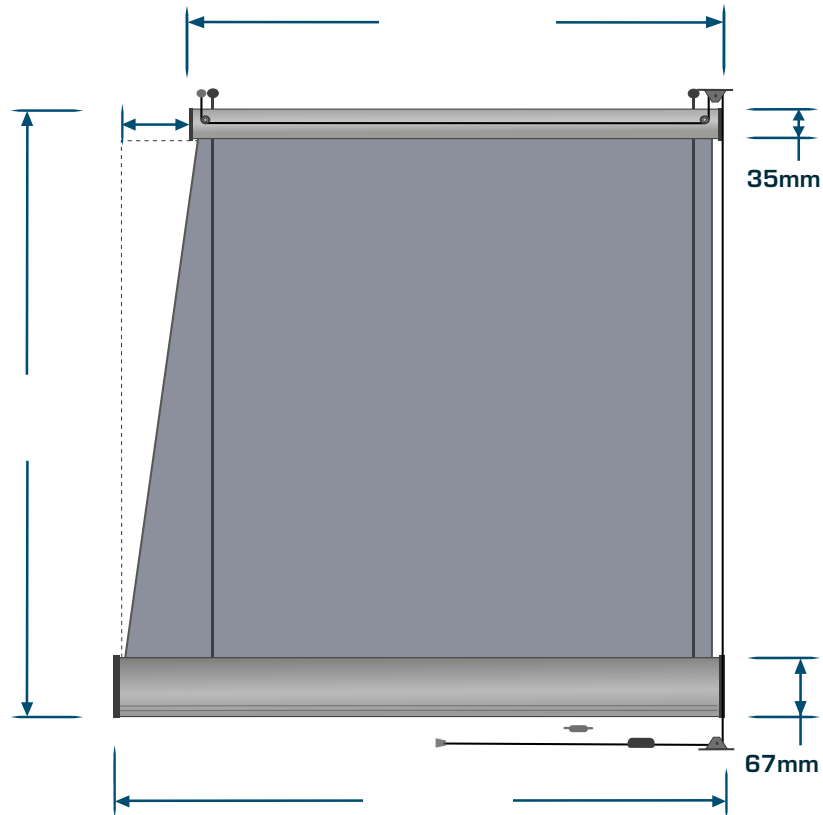


Key Components			
1	Cassette	3	Bottom Bar
2	Solar Film	4	Double Pulley
		5	Cable Guides
		6	Pull Cord

CASSETTED SOLAR SCREEN - INVERTED LEFT TAPER

DOUBLE PULLEY SYSTEM & CABLE GUIDES

Product	Cassted Solar Screen
Mechanism	Double Pulley & Cable Guides
Film/ Fabric	Silver Solar Film
Cassette	67mm



Key Components			
1	Cassette	3	Bottom Bar
2	Solar Film	4	Double Pulley
		5	Cable Guides
		6	Pull Cord